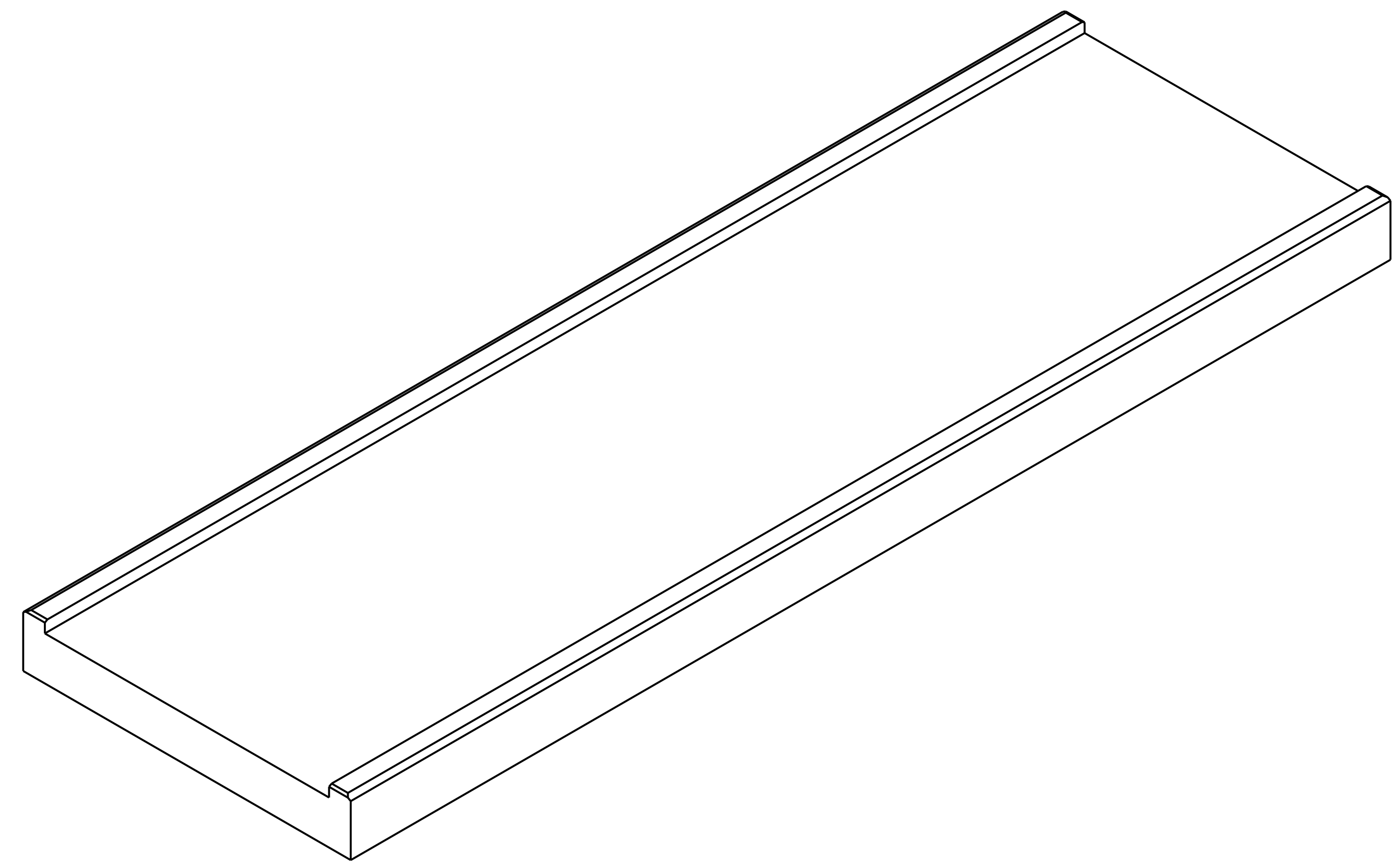
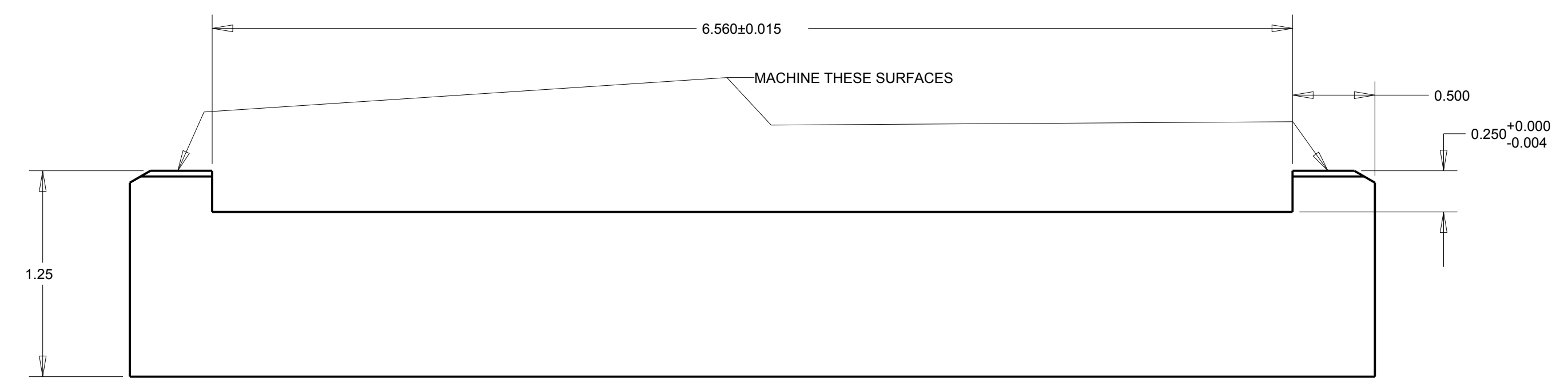
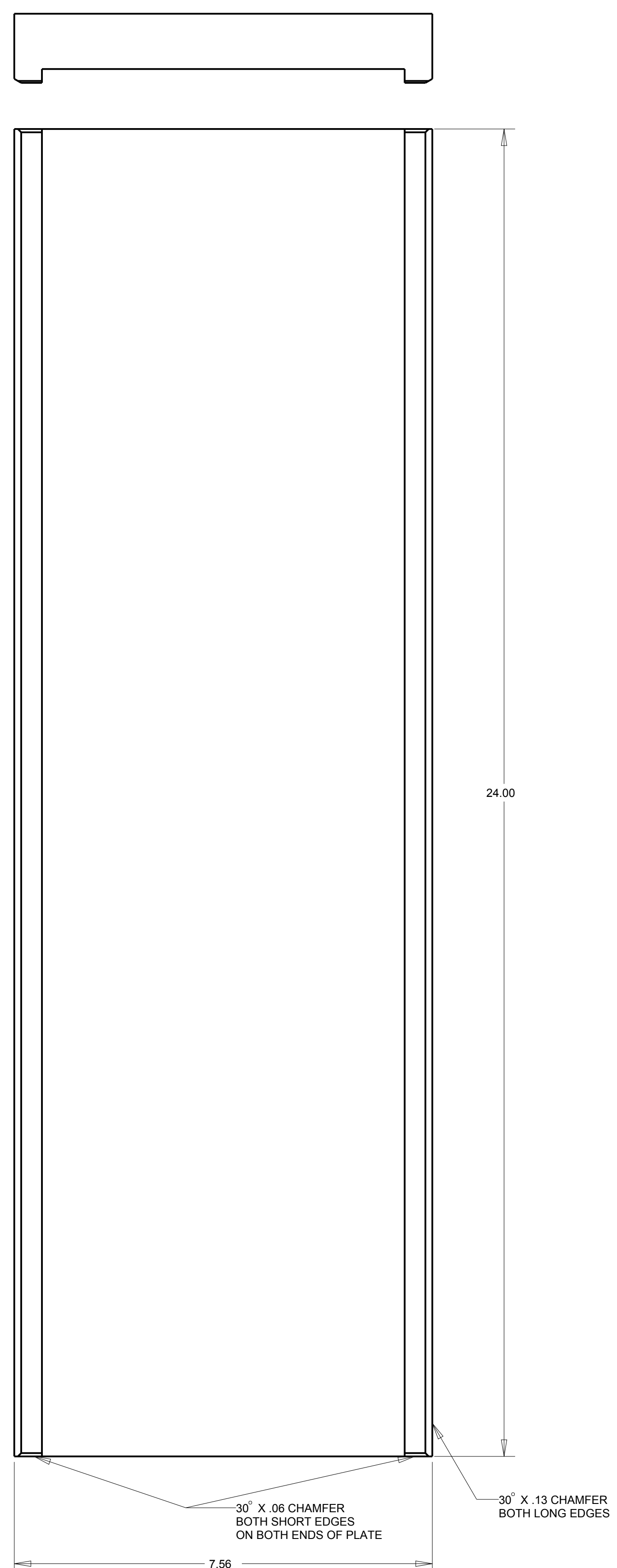


REVISIONS		
REV	DESCRIPTION	DATE
-	RELEASED	040215



SS304_316

MATERIAL SPECIFICATION

7950 Corporate Blvd.
Plain City, Ohio 43064

VELOCYS

TITLE: FTR WAVEFORM (WELDED)
LOAD TEST BTM PLATE (.250)

THIRD ANGLE PROJECTION

DIMENSIONS ARE IN INCHES
DUAL DIMENSIONING IS NOTED AS:
INCH [MM] OR INCH [MM]

TOLERANCES ARE:
DECIMALS
.X ± .03 [.76]
.XX ± .01 [.25]
.XXX ± .004 [.101]

ANGLES
± 0.5°

DO NOT SCALE DRAWING

DETAIL DESIGNER

DATE: Jan-20-15

SIZE: D

DWG. NO: 1006308

SCALE: 0.625

SHEET: 1 OF 1

BACKGROUND TECHNOLOGY
OF VELOCYS, INC.

DRW: 1006308
PART: 1006308